



**SINCE 1903**

**SERIES 30 2 RANK LIGHT DUTY  
SPRING TINE HARROW  
PRODUCT MANUAL FOR  
SECTIONS & SETS**

## **TABLE OF CONTENTS**

Welcome Note	4
Safety	5
Usage Information	7
Normal Packaging	9
Assembly Instructions	10
Operating Instructions	12
Series 30 Parts Breakdown	15
Contact Information	17
Purchase Information	17

# **SPRING TINE HARROW SECTION & SETS SERIES 30**

## **PRODUCT MANUAL**

**This Product Manual must be given to the Owner of the Harrow and the Operator(s) of the Harrow and any person(s) who carry out any service work / repairs to the Harrow.**

**This Product Manual contains important information about the Harrow and its Intended Use, Safety, Set Up & Assembly Instructions and Operating Instructions.**

**Please read this Product Manual. Thank you.**

**Additional copies of this publication are readily available direct from Murray Agricultural Equipment.**

## **SERIES 30 SPRING TINE HARROW SECTION & SETS**

Thank-you for selecting an item of equipment or service part manufactured or supplied by Murray Agricultural Equipment – building quality & value priced harrows for Australia & export markets. This product manual covers harrow sections, complete harrow sets and service parts.

Please study the information contained in this product manual. Please retain this product manual for reference and re-read it from time to time to refresh your memory. Please ensure all future operators and owners of this product study this manual or the latest edition of this manual. Additional copies of this publication or the most recent edition are readily available direct from Murray Agricultural Equipment.

Correctly assembled, operated & maintained, and used for the purpose for which it was designed, this product should provide productive service. Your attention is drawn to information contained in this manual. Following the appropriate guidelines and instructions will contribute to reliable, effective performance and maintain the manufacturer's product warranty cover.

## **SAFETY**

### **“A Special note – Please read it”**

- Work safely and promote safety at all times.
- Familiarize yourself, employees & contractors and other people with all and any safety warnings, marks or instructions issued, marked or affixed to this product. Work in accordance with these instructions at all times when around this product.
- This product is intended to be pulled (towed) by a tractor correctly fitted with an approved rollover protection structure. This product is NOT intended for use with an “ATV” or “Ride on Lawn Mower” or similar machine.
- Keep children away from farm machinery including this product. Do not allow children or any person or animal or item to ride or be carried by this product.
- This equipment is not intended to be used or operated, serviced or repaired by children under the age of 18 years or persons who are not medically fit.
- Children, especially young children, should be supervised to ensure that they do not play with or near this equipment. Encourage children to keep away from farm machinery including this product.
- Do Not climb on Agricultural Equipment including this product.
- You and other people must be especially aware of the dangers from moving, sharp, falling or mobile components or equipment including tractors and engines, and of the danger from mechanisms or assemblies that can be activated remotely by other people.

- Wear and use the appropriate safety clothing and equipment.
- This equipment is not intended to be used on or travel on roads or freeways.
- When transporting this product in conjunction with (connected to) a tractor or another vehicle, transport only when safe to do so and **transport speed** (not work speed) should not exceed 10 kph.
- Electrical Safety; “Look Up And Live” When near powerlines, always Look Up And Live & Look Around And Live. Contact with powerlines and other electrical wires can end in tragedy.
- Replace any safety or warning labels on this product if they become damaged, unclear or unreadable. Labels are available as a service part.

## **SERIES 30 SPRING TINE HARROW SECTION & SETS: USAGE INFORMATION**

The Murray Series 30 Spring Tine Harrow Section is designed to be used as a “**Light**” duty “Levelling Style” Harrow pulled (towed) by a **tractor correctly fitted with an approved rollover protection structure**. In general they are suitable for levelling operations on prepared light, sandy ground in conjunction with primary and secondary tillage implements. A Series 30 Spring Tine Harrow section may be referred to as a Finger Tine Harrow. Maximum operating speed is 10 km / hour. The Series 30 Spring Tine Harrow is **Not** recommended for use on pasture; the tines and harrow frame will / may bend. For Harrows recommended for pasture, please refer to the Murray Series 20 Pasture Harrow – “Medium / Heavy Duty” and the Murray Series 05 Pastureland Harrow – “Light Duty”.

**NOT INTENDED FOR USE WITH AN “ATV” OR “RIDE ON LAWN MOWER”**

**MURRAY SERIES 30 SPRING TINE HARROW SECTION(S) & SETS (OR ANY OTHER MURRAY HARROW) ARE NOT TO BE ATTACHED TO / USED IN CONJUNCTION WITH OR PULLED BY AN “ATV” OR “RIDE ON LAWN MOWER” OR SIMILAR MOTIVE POWER MACHINE.**

Murray Agricultural Equipment expressly prohibit the attachment to / use with or pulling by an “ATV” or “Ride On Lawn Mower” or similar form of machine regarding Series 30 Spring Tine Harrow Section(s) & Sets or any other Murray Harrow.

If, for whatever reason, attachment / or use in conjunction with or pulling by an “ATV” or “Ride On Mower” or similar form of machine was being considered **STOP NOW!**

### **DO NOT PROCEED WITH ASSEMBLY OR ATTACHMENT!**

If you purchased these Harrows **brand new** contact the Murray Dealer that sold these Harrows to you or Murray Agricultural Equipment **NOW to arrange a return of these Harrows.**

### **SET UP INSTRUCTIONS**

**DANGER;** Use extreme caution to prevent injury when handling or working with the spring tine sections (points) as the tines can be sharp. A Tine or Tines should never be assembled in any other position that the way they were designed or intended to be positioned.

When assembling equipment for delivery or in preparation for field work please follow these general instructions. Always refer to the appropriate assembly drawings and / or instructions during assembly.

“Left” and “Right” are relative to a position behind the implement looking forward to the hitch point.

Assemble the implement on a solid, level surface wherever possible.



**SERIES 30 SPRING TINE HARROW SECTION & SETS: NORMAL PACKAGING**

The following items should be included;

**HARROW SECTIONS;** Spring Tine Harrow sections, if section(s) only have been specified.

**HARROW SET;**

**Quantity    Description**

2	Series 30 Mount Arms
1	Series 30 Tine Section complete

Multiples of Harrow Sets can be supplied to suit Primary Machine width.

## **SERIES 30 SPRING TINE HARROW SECTIONS & SETS: ASSEMBLY INSTRUCTIONS**

**SAFETY TIP:** Safety Glasses should be correctly worn by the person(s) removing tie-wires.

STEP 1: Remove all items of packaging, including strapping, tie-wires and shipping tags etc; from components.

STEP 2: Position evenly and secure Series 30 Mount Arms to the rear toolbar of the Primary Machine by removing the clamp plate, nuts & washers. Proceed to refit clamp plate to bolts and tighten nuts and washers.

STEP 3: If required, set the Mount Arm Cam by removing Cam Bolt located on the Headstock. Position Mount Arm to desired working height by lifting the arm. Refit Bolt and Nut. Please note that further settings are available by turning the Headstock upside down. The settings available can suit some John Shearer machines. Please refer to Part Number 6 (see Page 15 for detail).

STEP 4: Attach the Tine section to mount arm by removing the Tine section pipe clamp (Part number 5, see Page 15 for detail) and refit to 1<sup>st</sup> rank Tine pipe (rear of the machine). Do not tighten clamp plate fully. Please ensure that Spring Tine 'Fingers' are running down the front of the pipe.

STEP 5: Loosen all 'U' bolts located on the Tine pipe Cross arm (Part number 4, see Page 15 for detail). Set the desired Tine working angle and resecure all bolts including Tine pipe clamps.

**ASSEMBLY TIP;** The greater the Tine layback, the better trash flow.

**SPECIAL NOTES:**

Please ensure that the Mount Arms are evenly spaced, as uneven weight distribution may negatively affect the performance of this product.

Tine leg runs down the front of the Tine pipe and around the back of the bolt in the direction of travel.

Please dispose of any packaging and shipping items thoughtfully. Thank you.

## **SERIES 30 SPRING TINE HARROW SECTIONS & SETS: OPERATING INSTRUCTIONS**

Recommended maximum working speed is **10 kph**. For better results, and to safeguard the implement, do not operate the harrow above this speed. Operation at a speed greater than 10 kph will result in premature wear and damage to the harrow and may void manufacturer's product warranty.

Replace any safety or warning labels on this product if they become damaged, unclear or unreadable. Labels are available as a service part.

Inspect this product prior to use. Ensure that all mount points, bolts, clamp plates and U bolts are correctly assembled / attached. Replace any parts on this product if they become worn or unserviceable.

Murray Agricultural Equipment does **not** recommend the adding of extra weight to their harrow sets or harrow sections.

**NEVER GET UNDERNEATH A HARROW;** Safe work practice directs that operators and other persons never get underneath a Harrow Section or Harrow Set or components of a Harrow at any time while attempting to clear or clean the Harrow of weed matter or any other material or blockage and when carrying out maintenance or at any other time whether the Harrow Section or Set or components of a Harrow are attached to a primary machine. Failure to do so will / may result in death or serious injury.

**NO RIDING ON A HARROW;** Owners and Operators must ensure that no person(s) or animals ride or are carried etc on Murray Harrows. Failure to do so will / may result in death or serious injury.

**STAND CLEAR OF “PINCH POINTS”;** Owners and Operators must ensure no person(s) or animal(s) are permitted to stand within or be allowed to be nearby a “Pinch Point”. A Pinch Point maybe an area between the front of a Hoist Frame & Harrow Front Lift Drawbar and the rear of a tractor when the Hoist Frame is connected to a tractor.

A Pinch Point maybe an area between a Harrow Set and the rear of a tractor when the Harrow Set is NOT connected to a tractor and the tractor is being reversed so as to enable the Harrow Set to be attached to the tractor. A Pinch Point maybe an area between the tractor’s rear tyres and a drag type Harrow Front Drawbar when the tractor and attached Harrow Set is turning a corner.

**Operating Instructions for Towing Vehicles;**

This equipment is not intended to be used on or travel on roads or freeways. When transporting this product in conjunction with (connected to) a tractor or another vehicle, transport only when safe to do so and **transport speed** (not work speed) should not exceed 10 kph.

When towing equipment combinations, the maximum equipment combination ground speed shall be limited to the lowest specified ground speed of any of the towed machines.

The maximum travel speed is that specified in the operator’s manual(s), Speed Identification Symbol ( S I S ), or

information sign of towed equipment, or the limit of the road conditions, **whichever is the lesser**.

## **GENERAL**

Additional copies of this publication are readily available. Please contact Murray Agricultural Equipment.

We do not recommend the adding of any extra weight to this harrow.

If you require assistance in any way with a Murray Series 30 Spring Tine Section & Set please contact your dealer, area distributor (where applicable) or Murray Agricultural Equipment.

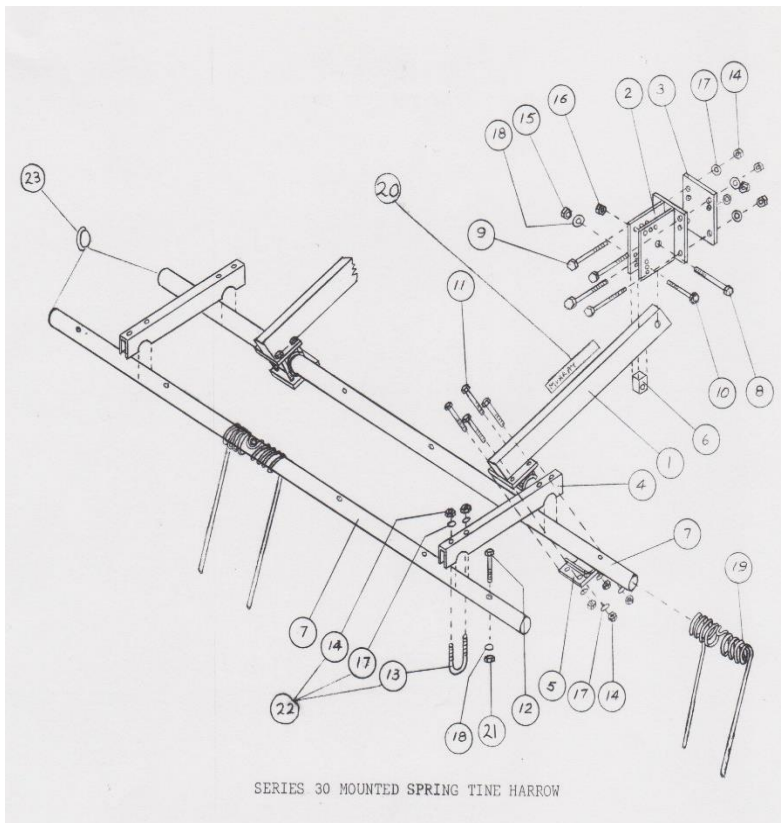
Information contained herein is from data available at time of publishing. Due to a policy of continual product research and evaluation, Hugh Murray & Son Pty Ltd trading as Murray Agricultural Equipment reserves the right to change specifications without notice and without obligation.

E. & O. E.

Copyright January 2017

## **NOTES**

# SERIES 30 SPRING TINE HARROW SECTION: PARTS BREAKDOWN



Ref No.	Part No.	Description
1	130001	RHS c/w Spacer & ½ Clamp Weld Ass
2	130015	Mount Plate & Side Plates Weld Ass
3	130017	Mount Plate Only – Bolt On
4	130002	Tine Pipe Connector Weld Assembly
5	130005	Clamp Plate – Half Only
6	130004	Cam Only
7	130020	Tine Pipe Only 1.78 m (5'10")
	130021	Tine Pipe Only 2.13 m (7")
	130028	Tine Pipe Only 2.48 m (8'2")
	130022	Tine Pipe Only 2.84 m (9'4")
	130023	Tine Pipe Only 3.20 m (10'6")
8	190285	1/2" x 2 3/4" Bolt
9	190274	1/2" x 5 1/2" Bolt
10	190273	3/8" x 2 1/2" Bolt
11	190275	1/2" x 3 1/2" Bolt
12	190235	3/8" x 2 1/8" Special Head Bolt
13	130025	"U" Bolt Only 12 mm x 56 mm c/c
14	190269	1/2" Nut
15	190332	3/8" Nyloc Nut
16	190289	1/2" Nyloc Nut
17	190516	1/2" Spring Washer
18	190512	3/8" Spring Washer
19	130024	Tine Only "Straight" Design
20	190582	"Murray" Label
21	190227	3/8" Nut
22	130018	"U" Bolt Only 12 mm x 56 mm c/c c/w Nuts & Spring Washers
23	190562	Cap Plug

Please see your local dealer for any spare part requirements.



**MURRAY AGRICULTURAL EQUIPMENT CONTACT  
INFORMATION:**

Hugh Murray & Son Pty Ltd ABN 74 004 169 135 Trading As  
Murray Agricultural Equipment.  
One Pickett Street  
Dandenong VIC 3175  
Australia

Phone (03) 9791-7033  
Fax (03) 9791-1894  
Email [sales@murrayag.com.au](mailto:sales@murrayag.com.au)  
Web [www.murrayag.com.au](http://www.murrayag.com.au)

**CUSTOMER PURCHASE INFORMATION:**

Date of Purchase:

Dealer Purchased From:

Model No.:

The above information will help us to service any warranty  
claims.